



TE Internal #: 170204-2

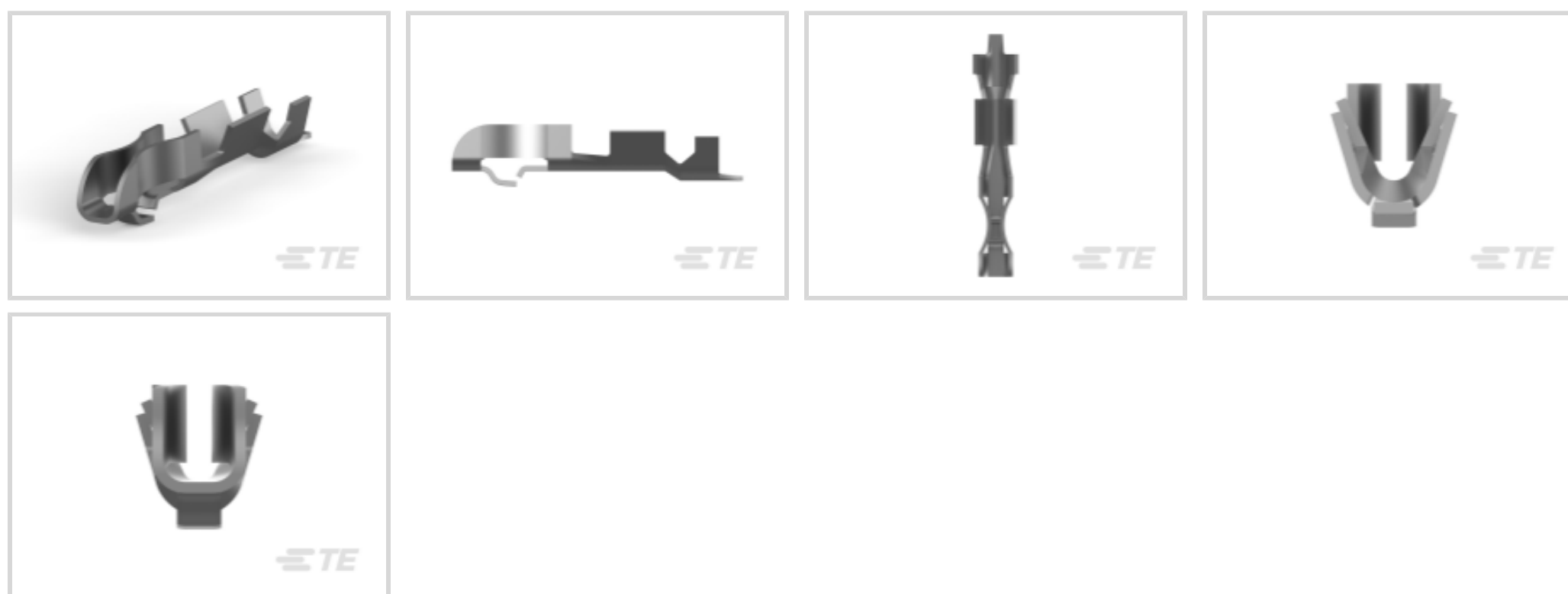
Connector Contact, Socket, Wire-to-Wire / Wire-to-Board, 26 – 20

AWG Wire Size, .12 – .5 mm<sup>2</sup> Wire Size, Tin, Loose Piece, Wire &

Cable, 2 A, Signal

[View on TE.com >](#)

Connectors > PCB Connectors > Wire-to-Board Connectors > Wire-to-Board Connector Contacts



Contact Type: **Socket**

Connector System: **Wire-to-Board, Wire-to-Wire**

Wire Size: **.12 – .5 mm<sup>2</sup>**

Contact Mating Area Plating Material: **Tin**

## Features

### Product Type Features

Connector System	Wire-to-Board, Wire-to-Wire
Sealable	No
Connector & Contact Terminates To	Wire & Cable

### Electrical Characteristics

Dielectric Withstanding Voltage (Max)	750 VAC
Insulation Resistance	500 MΩ
Operating Voltage	250 VAC

### Contact Features

Mating Square Post Dimension	.64 mm[.025 in]
Contact Mating Area Plating Material Thickness	.8 μm
Contact Base Material	Phosphor Bronze
Contact Type	Socket
Contact Mating Area Plating Material	Tin
Contact Current Rating (Max)	2 A

### Mechanical Attachment



Connector Mounting Type	Cable Mount (Free-Hanging)
-------------------------	----------------------------

### Dimensions

Accepts Wire Insulation Diameter Range	1.09 – 1.91 mm [.043 – .075 in]
Wire Size	.12 – .5 mm <sup>2</sup>

### Usage Conditions

Operating Temperature Range	-20 – 105 °C [-4 – 221 °F]
-----------------------------	----------------------------

### Operation/Application

Circuit Application	Signal
---------------------	--------

### Packaging Features

Packaging Quantity	1000
Packaging Method	Loose Piece

### Product Compliance

For compliance documentation, visit the product page on [TE.com](https://www.te.com)>

EU RoHS Directive 2011/65/EU	Compliant
EU ELV Directive 2000/53/EC	Compliant
China RoHS 2 Directive MIIT Order No 32, 2016	No Restricted Materials Above Threshold
EU REACH Regulation (EC) No. 1907/2006	Current ECHA Candidate List: JUNE 2022 (224) Candidate List Declared Against: JUNE 2022 (224) Does not contain REACH SVHC
Halogen Content	Low Halogen - Br, Cl, F, I < 900 ppm per homogenous material. Also BFR/CFR/PVC Free
Solder Process Capability	Not applicable for solder process capability

#### Product Compliance Disclaimer

This information is provided based on reasonable inquiry of our suppliers and represents our current actual knowledge based on the information they provided. This information is subject to change. The part numbers that TE has identified as EU RoHS compliant have a maximum concentration of 0.1% by weight in homogenous materials for lead, hexavalent chromium, mercury, PBB, PBDE, DBP, BBP, DEHP, DIBP, and 0.01% for cadmium, or qualify for an exemption to these limits as defined in the Annexes of Directive 2011/65/EU (RoHS2). Finished electrical and electronic equipment products will be CE marked as required by Directive 2011/65/EU. Components may not be CE marked. Additionally, the part numbers that TE has identified as EU ELV compliant have a maximum concentration of 0.1% by weight in homogenous materials for lead, hexavalent chromium, and mercury, and 0.01% for cadmium, or qualify for an exemption to these limits as defined in the Annexes of Directive 2000/53/EC (ELV). Regarding the REACH Regulation, the information TE provides on SVHC in articles for this part number is based on the latest European Chemicals Agency (ECHA) 'Guidance on requirements for substances in articles' posted at this URL: <https://echa.europa.eu/guidance-documents/guidance-on-reach>

## Compatible Parts



TE Part # 354940-1  
PRO-CRIMPER III FRAME W/O DIES



TE Part # 171822-8  
EIS REC. HSG 8P-NATURAL



TE Part # 171822-6  
EIS REC. HSG 6P-NATURAL



TE Part # 171822-7  
EIS REC. HSG 7P-NATURAL



TE Part # 1-171822-2  
EIS REC. HSG 12P-NATURAL



TE Part # 171822-5  
EIS REC. HSG 5P-NATURAL



TE Part # 171822-9  
EIS REC. HSG 9P-NATURAL



TE Part # 171822-3  
EIS REC. HSG 3P-NATURAL



TE Part # 171822-2  
EIS REC. HSG 2P-NATURAL



TE Part # 1-171822-0  
EIS REC. HSG 10P-NATURAL



TE Part # 171822-4  
EIS REC. HSG 4P-NATURAL



TE Part # 172486-2  
2P REC HSG CRIMP EI SER



TE Part # 2-171822-3  
EIS REC. HSG 3P-BLACK



TE Part # 2-171822-4  
EIS REC. HSG 4P-BLACK



TE Part # 4-171822-5  
EIS REC. HSG 5P-BLUE



TE Part # 91556-1  
CCII AMP EI SERIES 26-20 ASSY



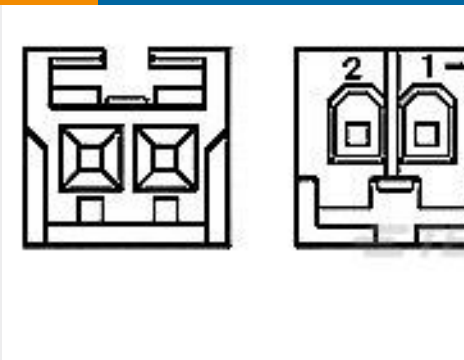
TE Part # 4-171822-4  
EIS REC. HSG 4P-BLUE



TE Part # 172486-3  
3P REC HSG CRIMP EI SER



TE Part # 4-171822-8  
E.I.SERIES CONN REC 8P



TE Part # 4-172486-2  
2P REC HSG CRIMP EI SERBLUE

## Documents



## Product Drawings

### EIS CONTACT

English

---

## CAD Files

### 3D PDF

3D

#### Customer View Model

[ENG\\_CVM\\_CVM\\_170204-2\\_O\\_c-170204-2-o.2d\\_dxf.zip](#)

English

#### Customer View Model

[ENG\\_CVM\\_CVM\\_170204-2\\_O\\_c-170204-2-o.3d\\_igs.zip](#)

English

#### Customer View Model

[ENG\\_CVM\\_CVM\\_170204-2\\_O\\_c-170204-2-o.3d\\_stp.zip](#)

English

By downloading the CAD file I accept and agree to the [Terms and Conditions](#) of use.

---

## Datasheets & Catalog Pages

### 1-1773972-5\_EIS\_Connectors\_Brochure

English

---

## Product Specifications

### Crimping of AMP EI Series Connector Contacts

Japanese

#### Application Specification

Japanese

---

## Product Environmental Compliance

### MD\_170204-2\_0707201497\_dmtec

English

### MD\_170204-2\_0707201497\_dmtec

English

---

## Instruction Sheets

### AMP "EI" Series Connector

English

#### Instruction Sheet (non U.S.)

English

---

## Agency Approvals

### Agency Approval Document

English